

CHANNEL PROGRAMMING INFORMATION FOR KEY RADIO KM3000 and KM4000 RADIOS

AMATEUR VERSION ONLY.

The radios sold by the TVRG all have similar features but there are four types with regard to programming:-

KM3000 with Molex connector

KM3000 with RJ45 connector

KM4000 with Molex connector

KM4000 with RJ45 connector

NOTE: Most KM3000s have green pcbs, there are some with yellow pcbs. Look inside the radio to determine which type. When programming the radio use the relevant channel programme file named (GRN) or (YEL) as appropriate.

The programming software is the same for both the KM3000 and the KM4000 types and is available free of charge from the Thames Valley Repeater Group website, which is www.tvrg.org.uk. It is also available on the Reading and District Amateur Radio Club website at www.radarc.org/tvrg

PLEASE NOTE: There are two versions of the programming software, one called "Key Programmer 2022" and the other "Key Programmer 2023". If you have a radio that was bought in 2022 use the 2022 version and from June 2023 onwards use the 2023 version.

These will run on Windows 7, 8 10 and 11, possibly earlier versions.

You will need a programming lead with an appropriate connector, depending upon the type of radio you have. These need to work with an RS232 serial port so you will probably need a USB to serial adaptor.

T.V.R.G. have a number of leads for sale which have an RJ45 connector on one end and a Molex connector on the other. Please note this is not a programming lead but will assist you in building one, as described below.

If you have a Molex connector radio, then you have two choices:-

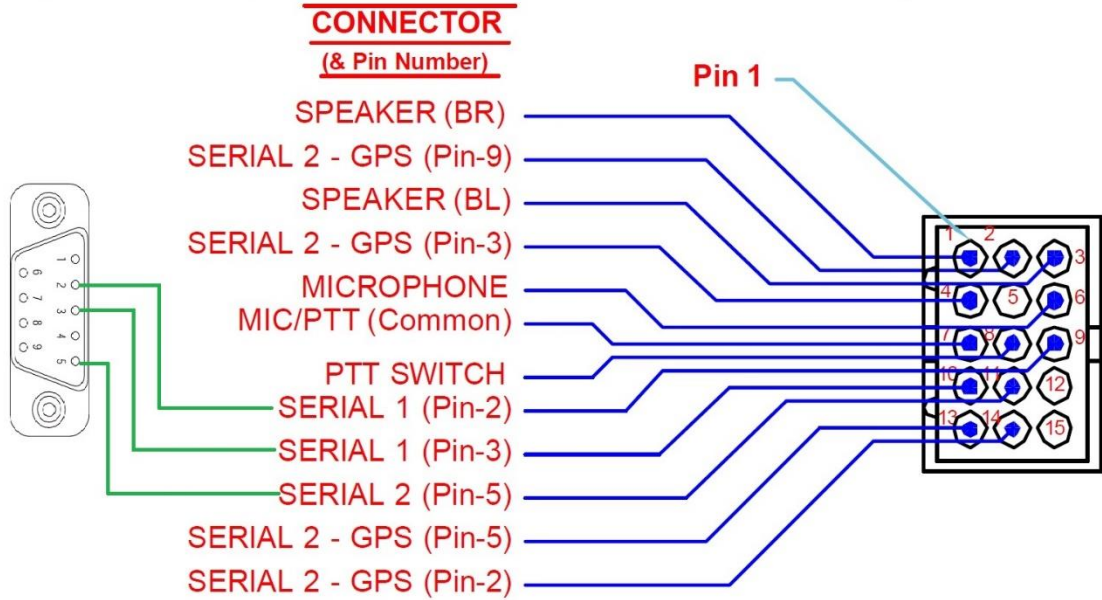
- a) You remove the RJ45 connector and wire a D Type connector onto the other end, which will then connect via a serial to USB adaptor. See Diagram A.
- b) You make up an RJ45 to D Type connector as shown in Diagram B, use a back to back female RJ45 adapter and then connect the RJ45 to Molex cable.

If you have an RJ45 connector radio, then make up an RJ45 to D type lead (shown in Diagram B) and connect using a USB to D type adapter.

Please note: **The software can only be used for programming channels into the radios**, the other features will not function correctly for the amateur version, which has specific firmware.

Disclaimer: This software is used at your own risk and no support is available.

Diagrams of leads are shown on the following pages.



KM3000 Molex (15-Pin) Connection Diagram

DIAGRAM A (above)

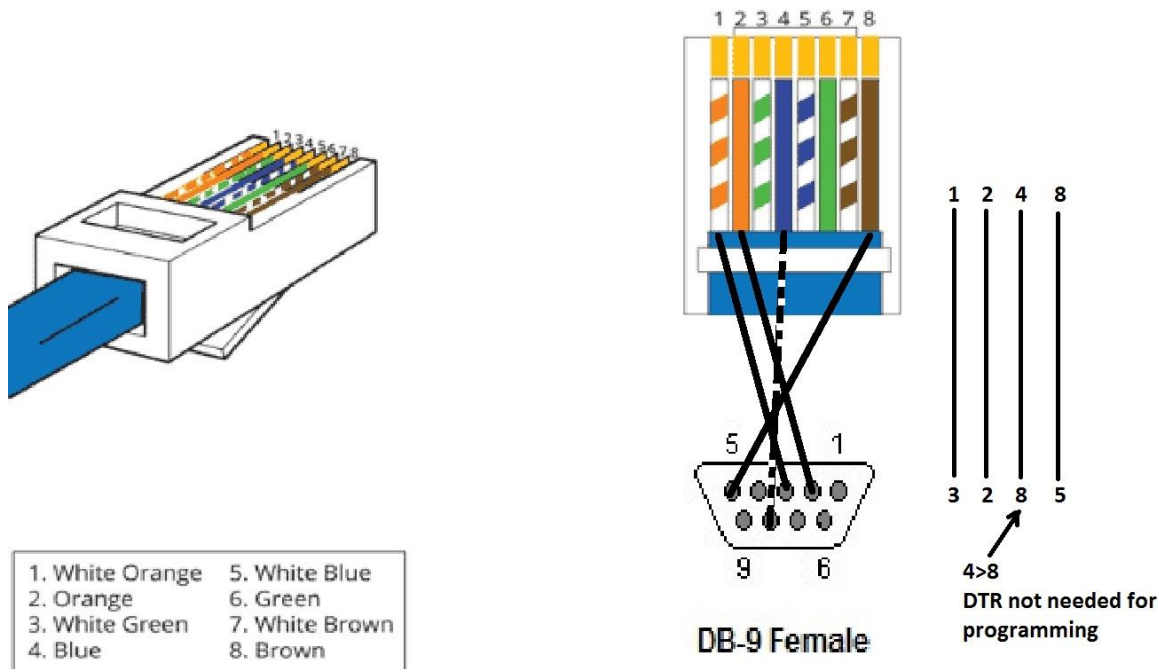


DIAGRAM B (above)